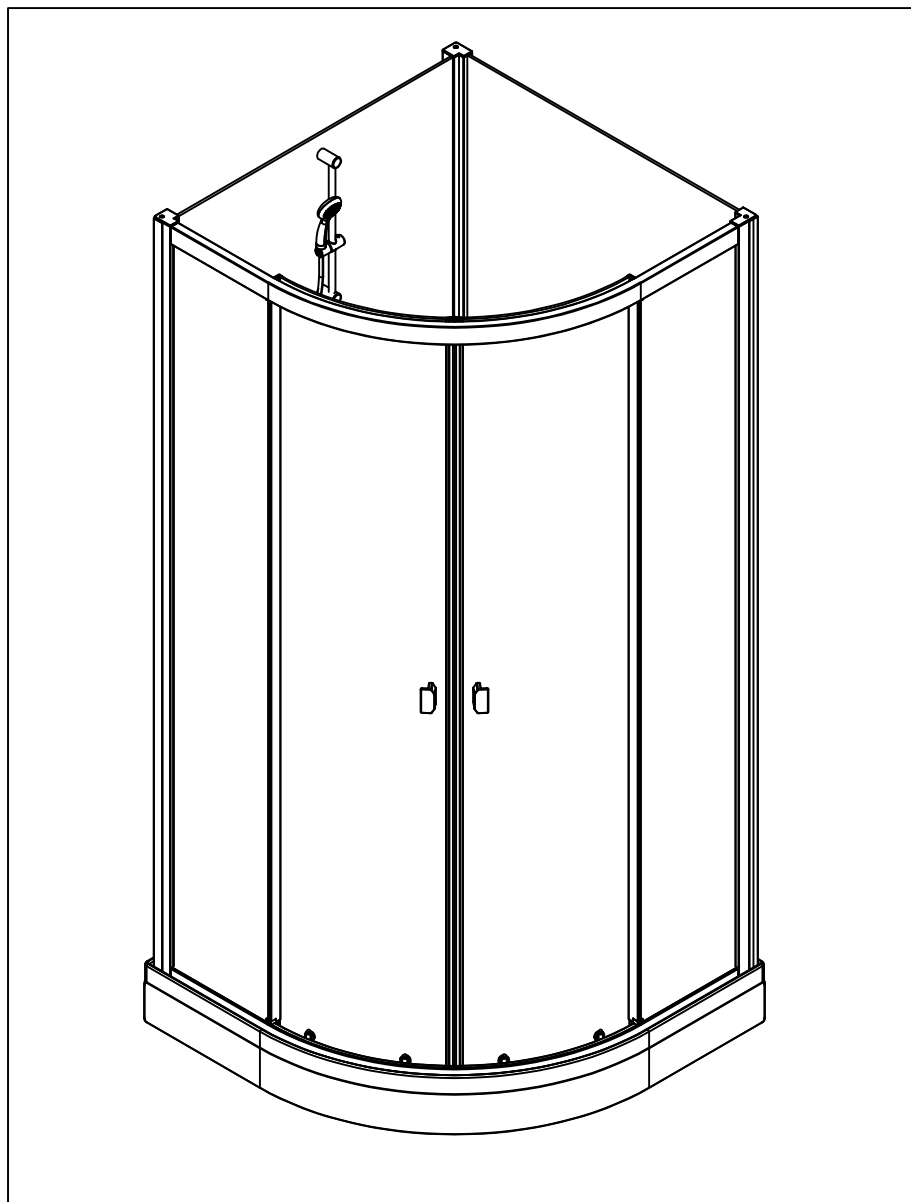
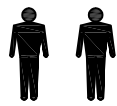


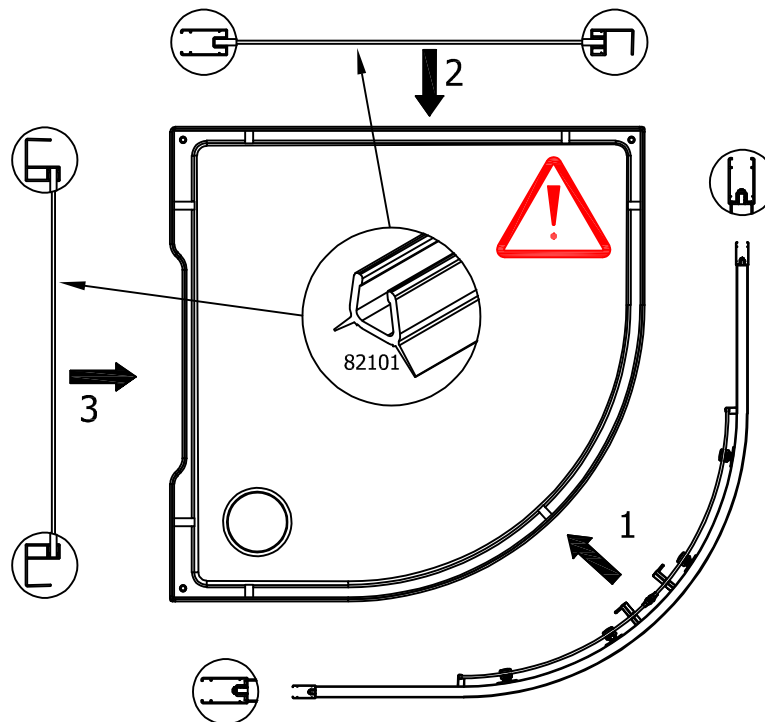
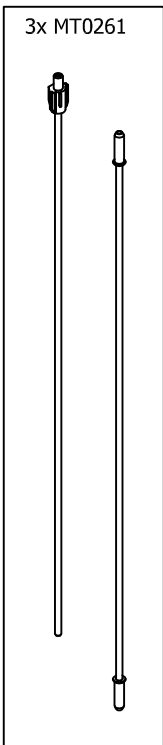
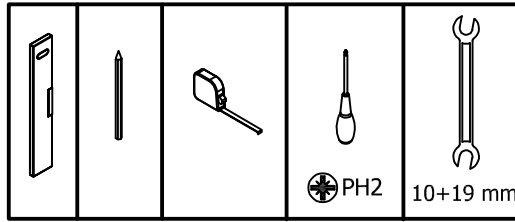
# 19835



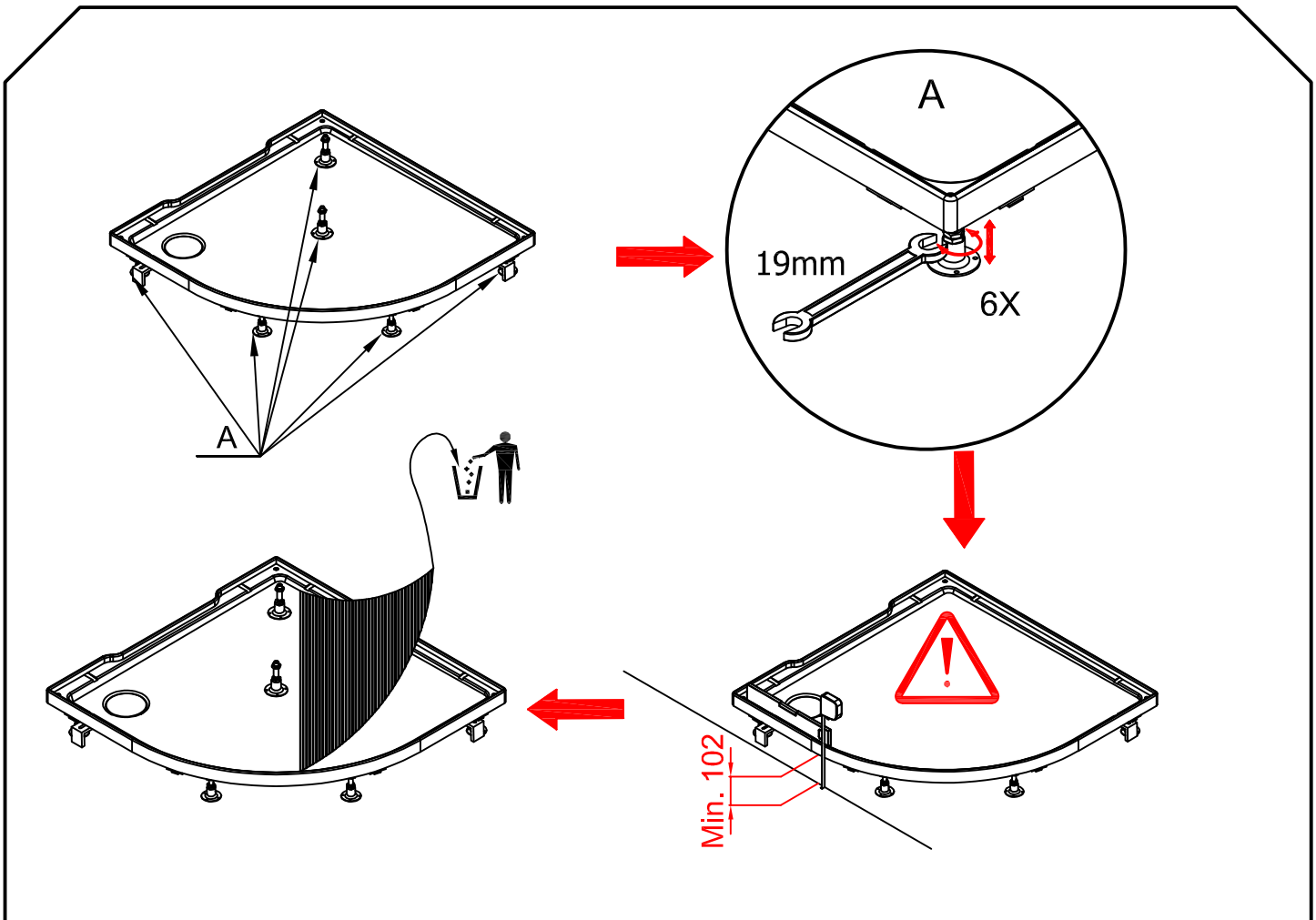
**P1. → P9.**



2x



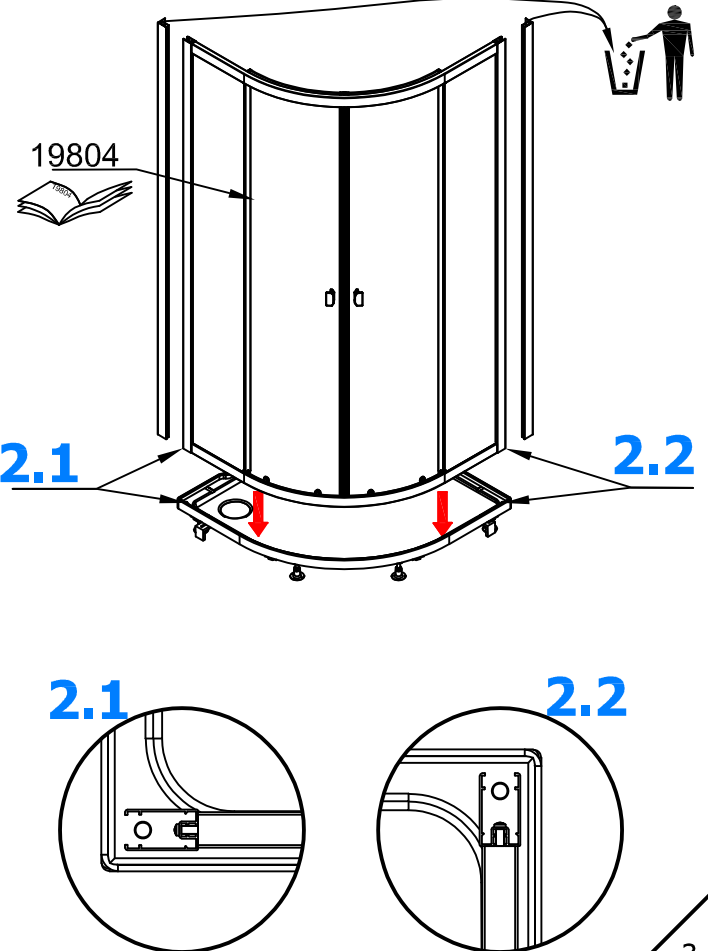
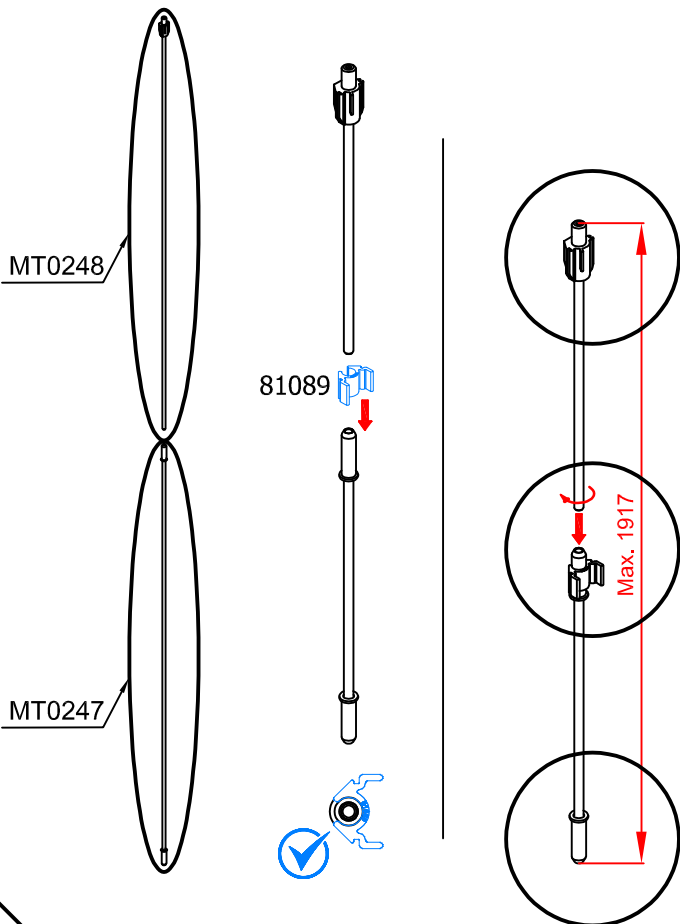
81201	81202	2X 81203	2X 81204	4X 81206
4X 14301	4X MT0260	81208	2X 81088	2X 81089
81084	81085	81086	81087	

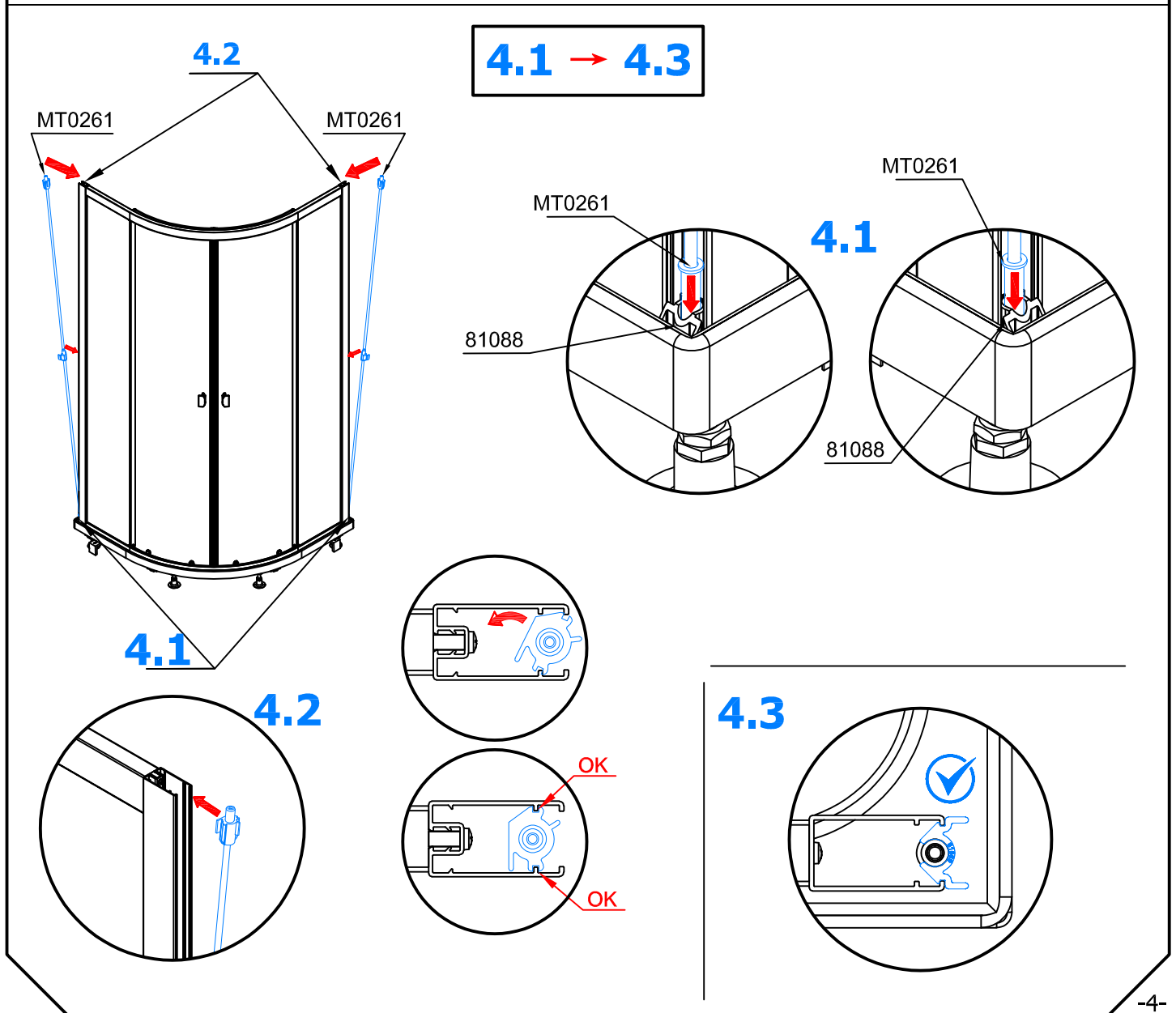
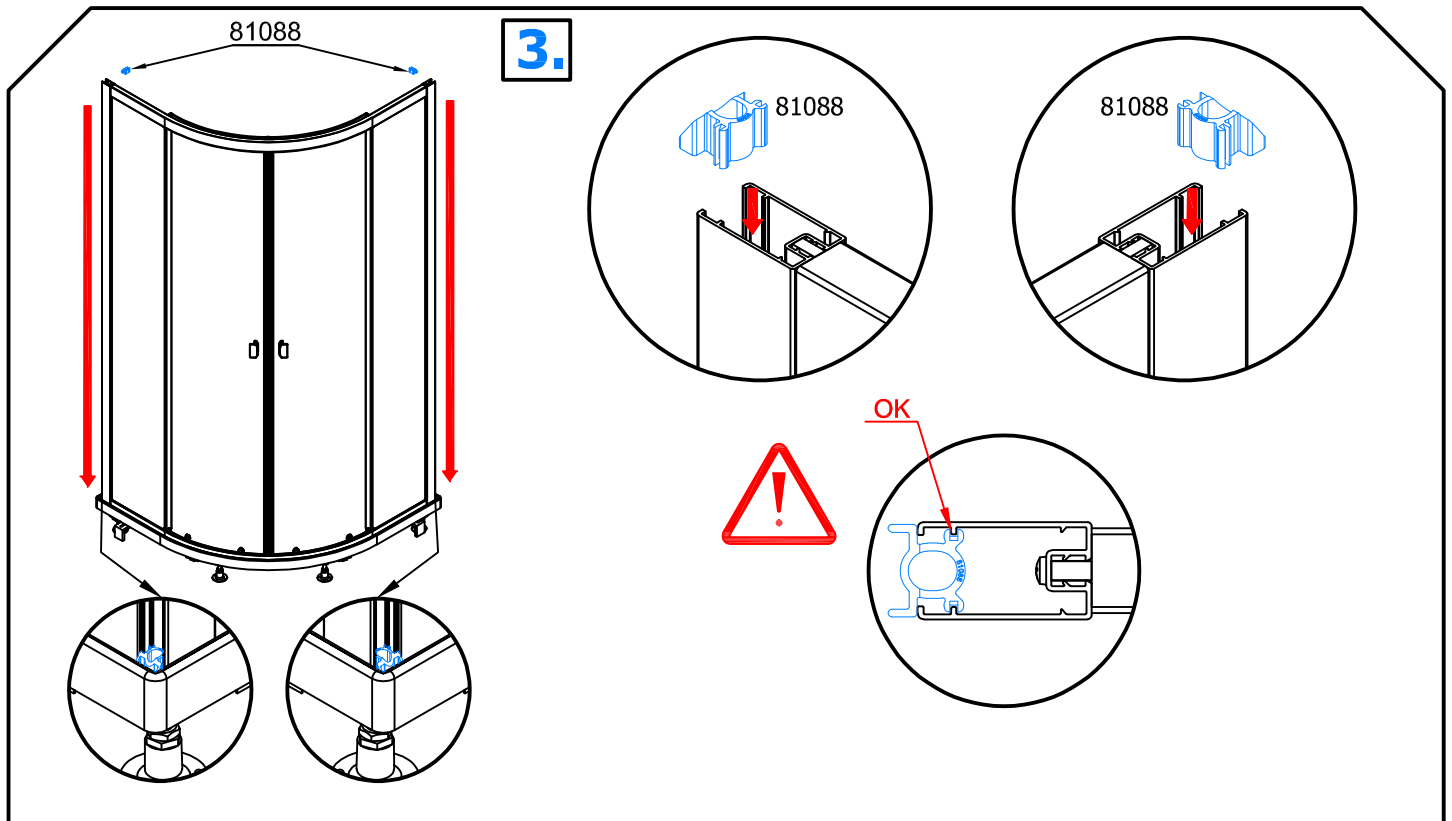


2X MT0261

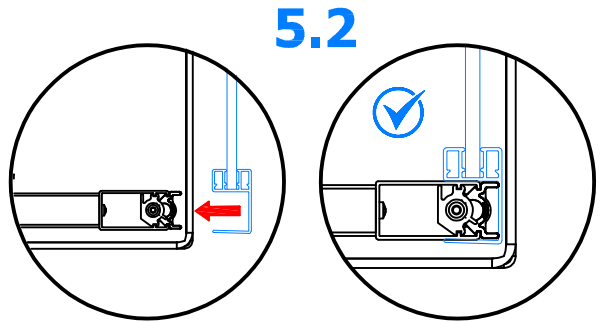
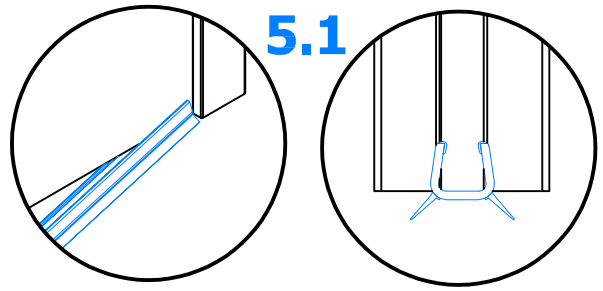
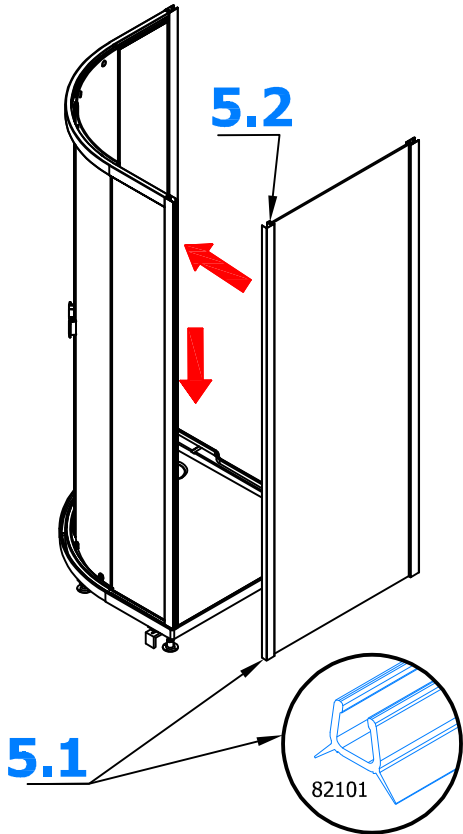
**1**

**2.1 → 2.2**

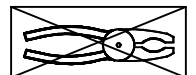
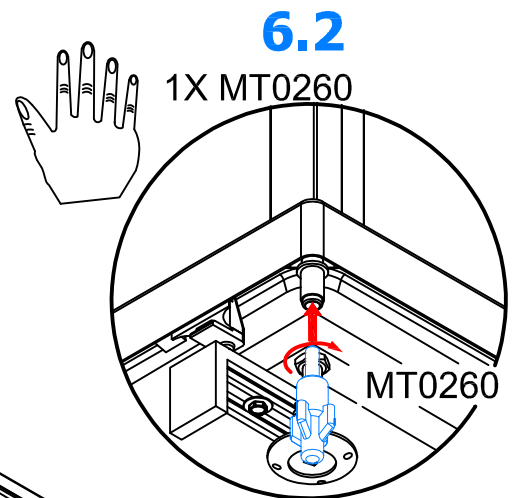
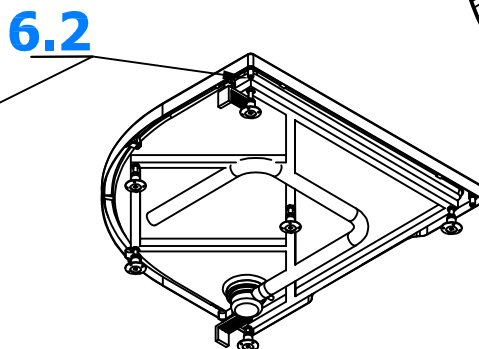
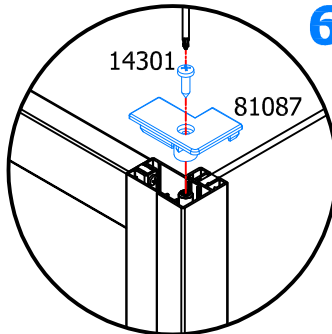
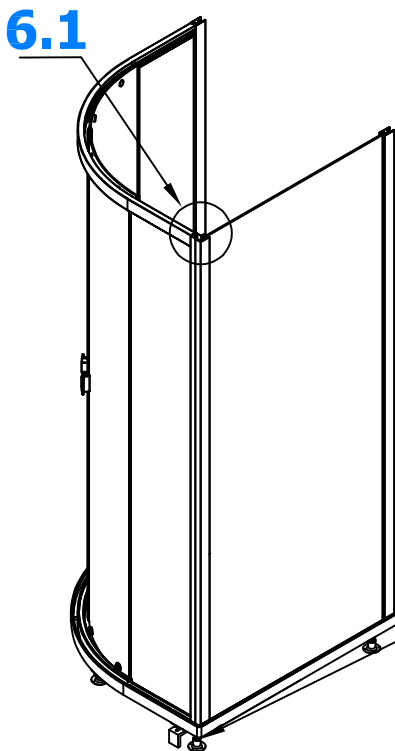




**5.1 → 5.2**



**6.1 → 6.2**

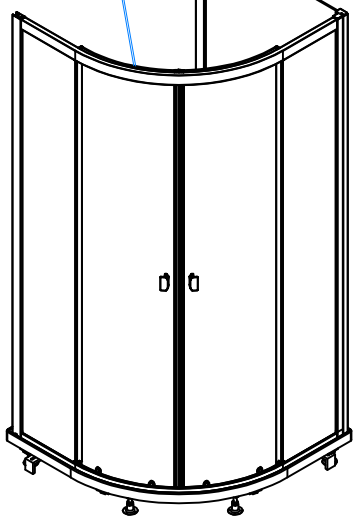


7.1 → 7.2

7.1

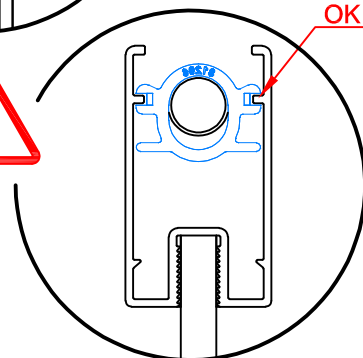
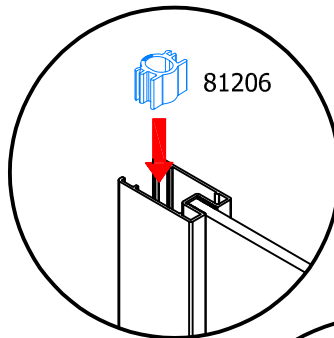
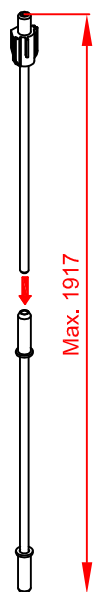
7.2

7.1

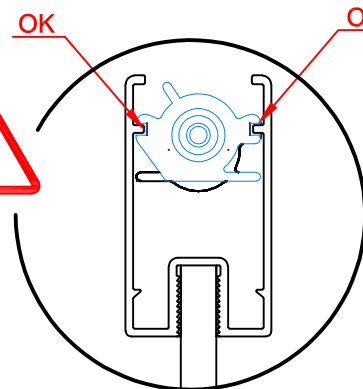
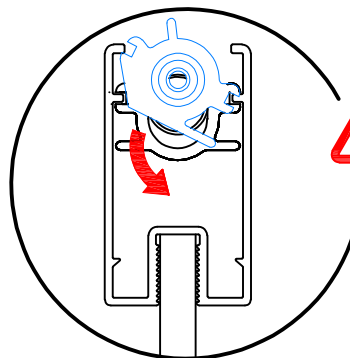


1X MT0261

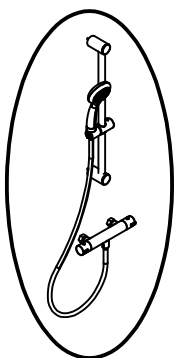
7.2



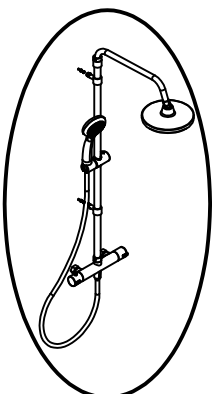
7.2



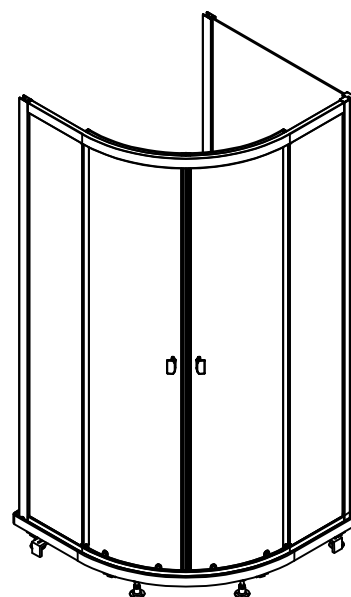
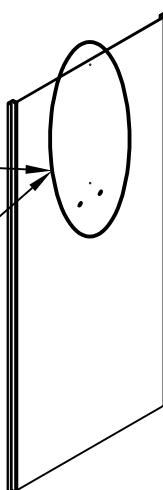
8



19475

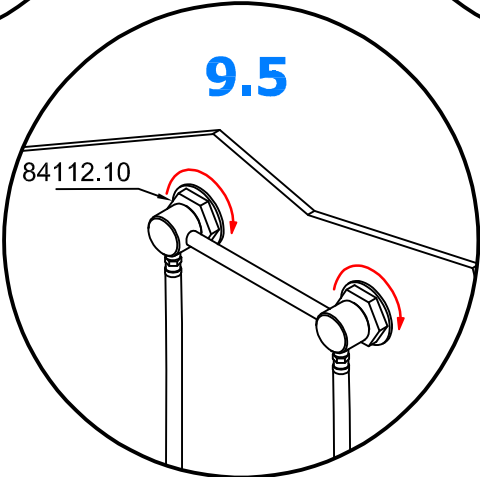
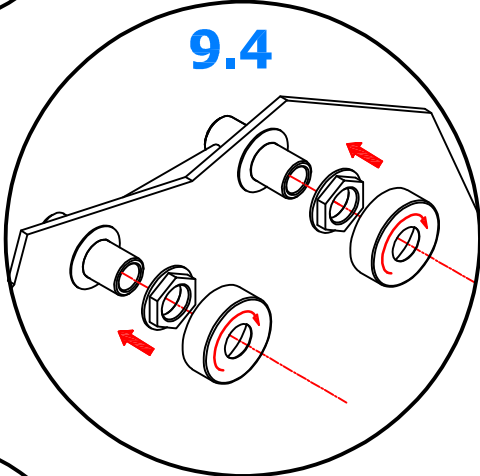
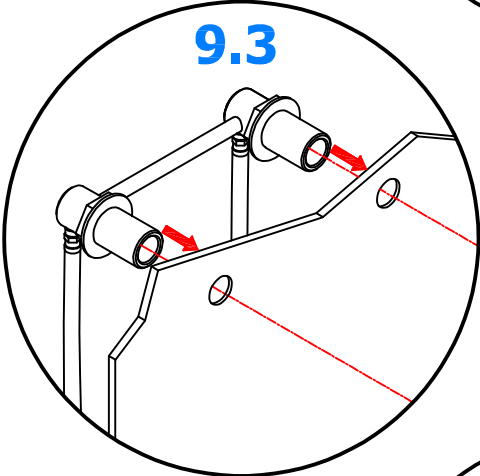
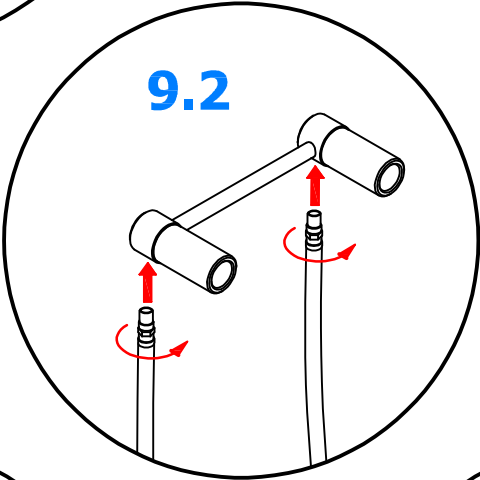
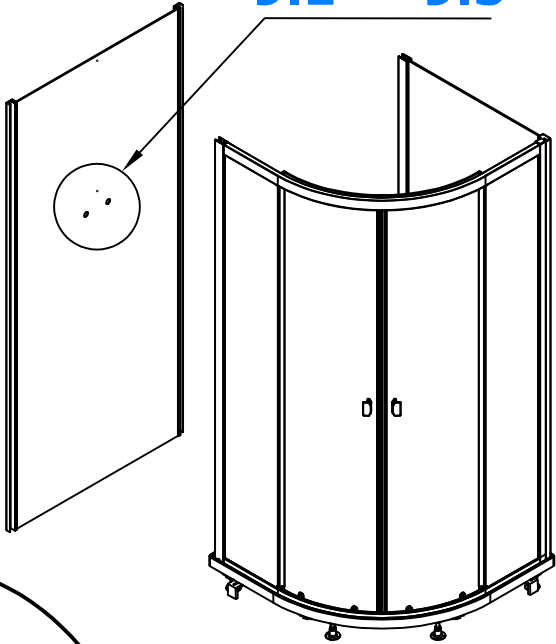
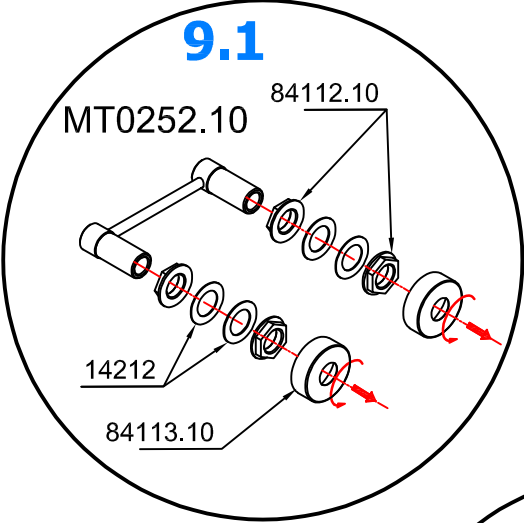


19476

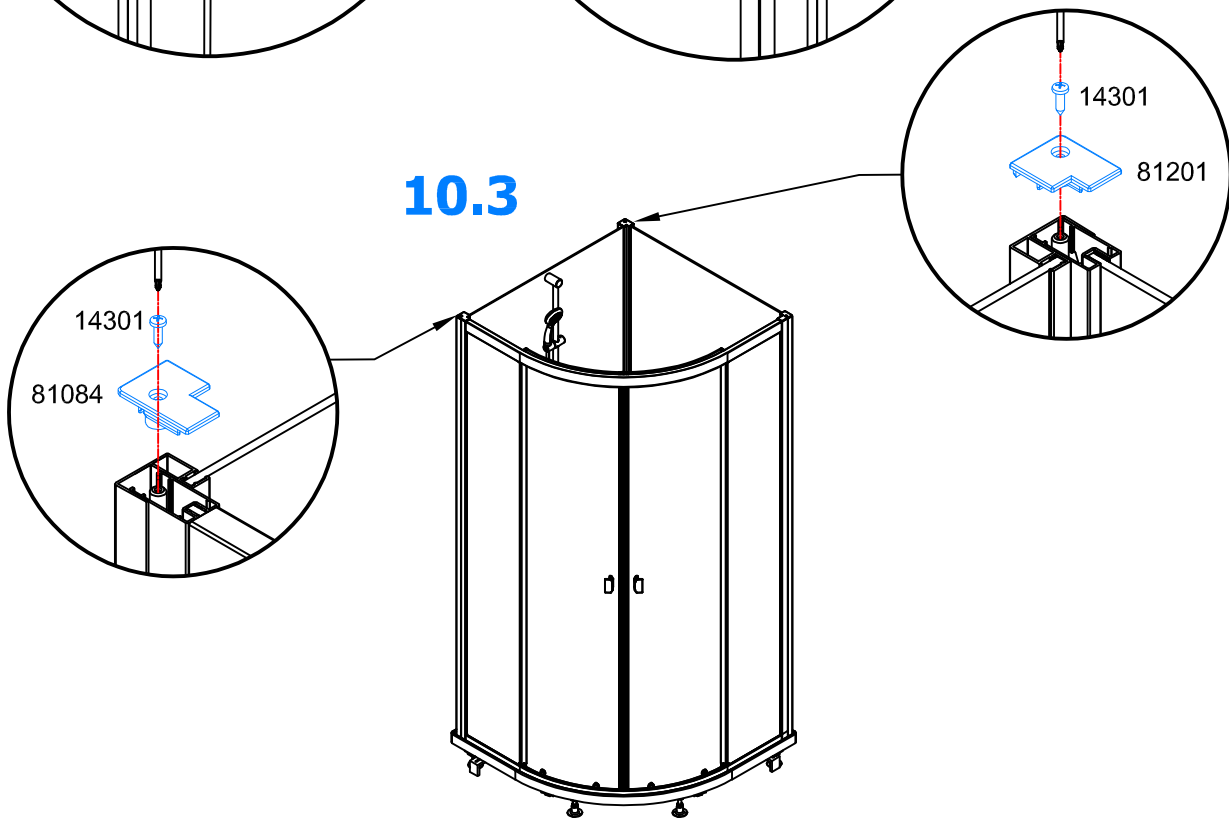
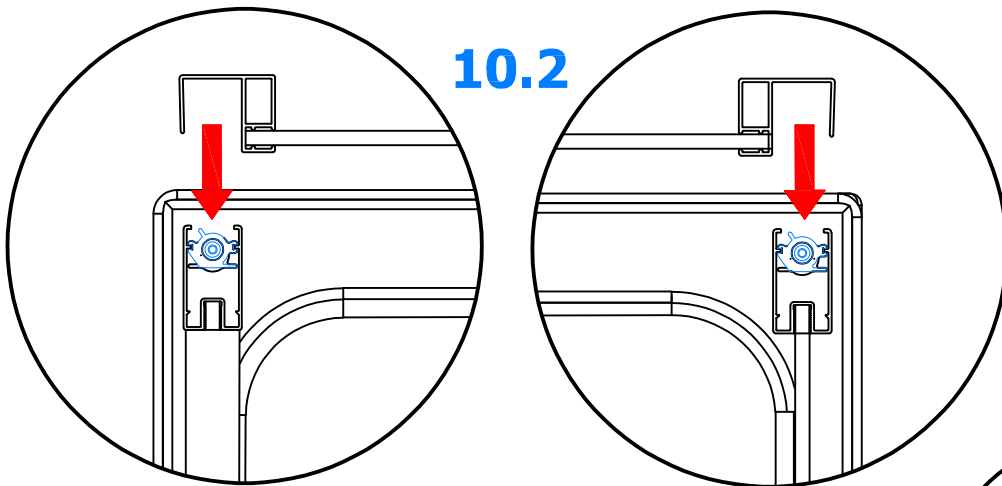
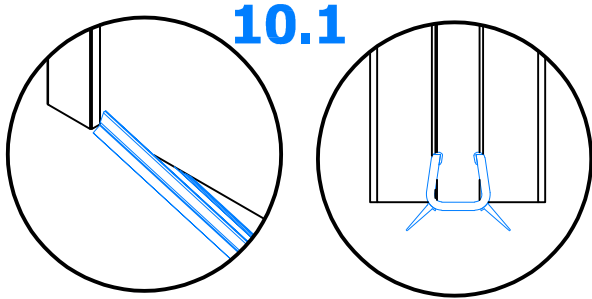
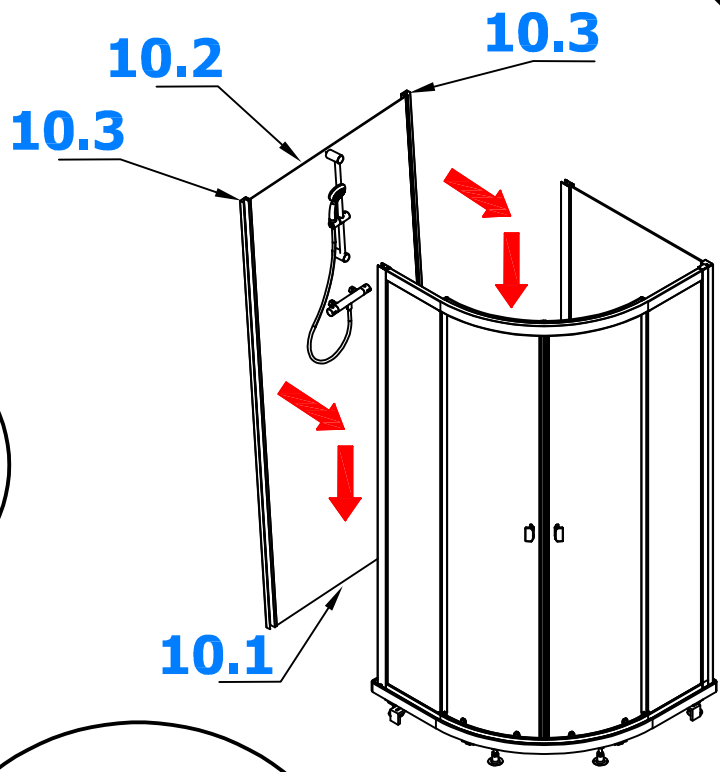


**9.1 → 9.5**

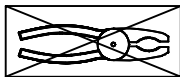
**9.1 → 9.5**



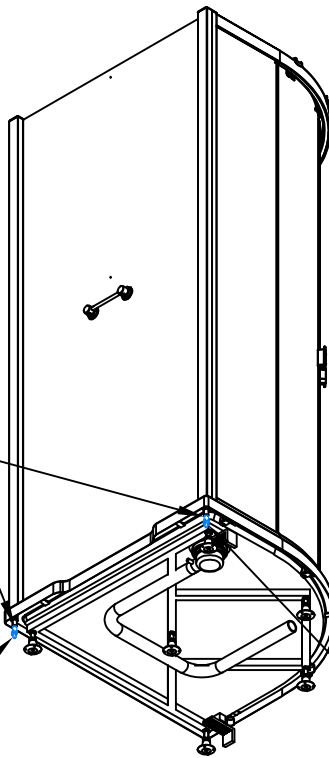
**10.1 → 10.3**



11



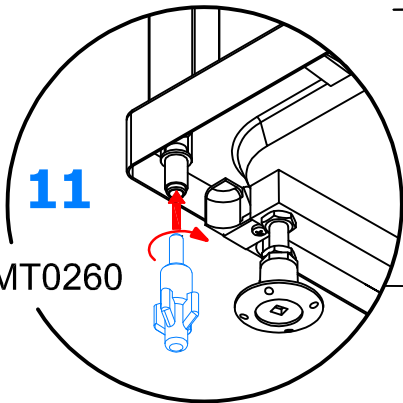
11



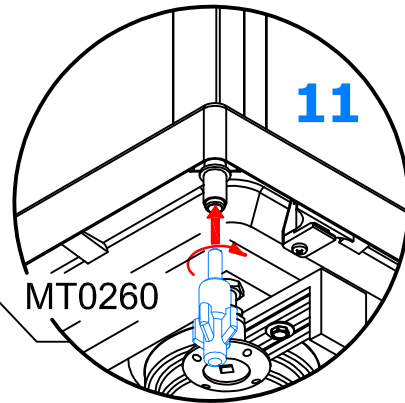
11

11

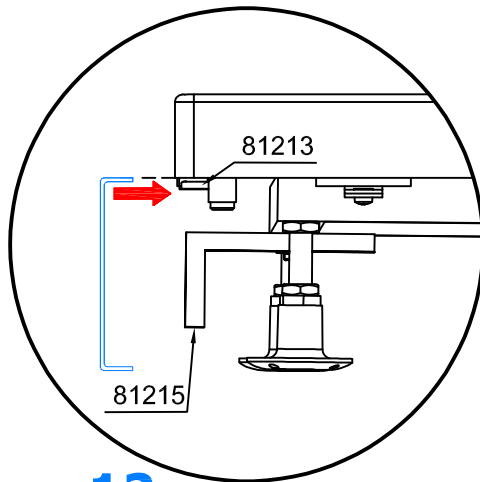
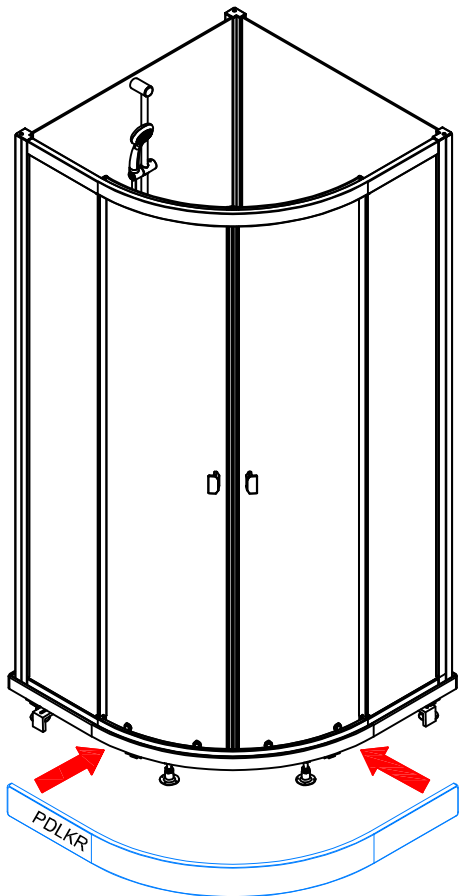
MT0260



MT0260



12



12

